



# FOOD EQUIPMENT

## 50 KG HEAVY-DUTY ELECTRICAL MEAT MIXER

Item: 47134

Model: MM-IT-0050



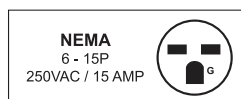
Removable Mixing Arms



Tank Overturn



Authorized Dealer



# FOOD EQUIPMENT

## HEAVY-DUTY ELECTRICAL MEAT MIXER



### Features:

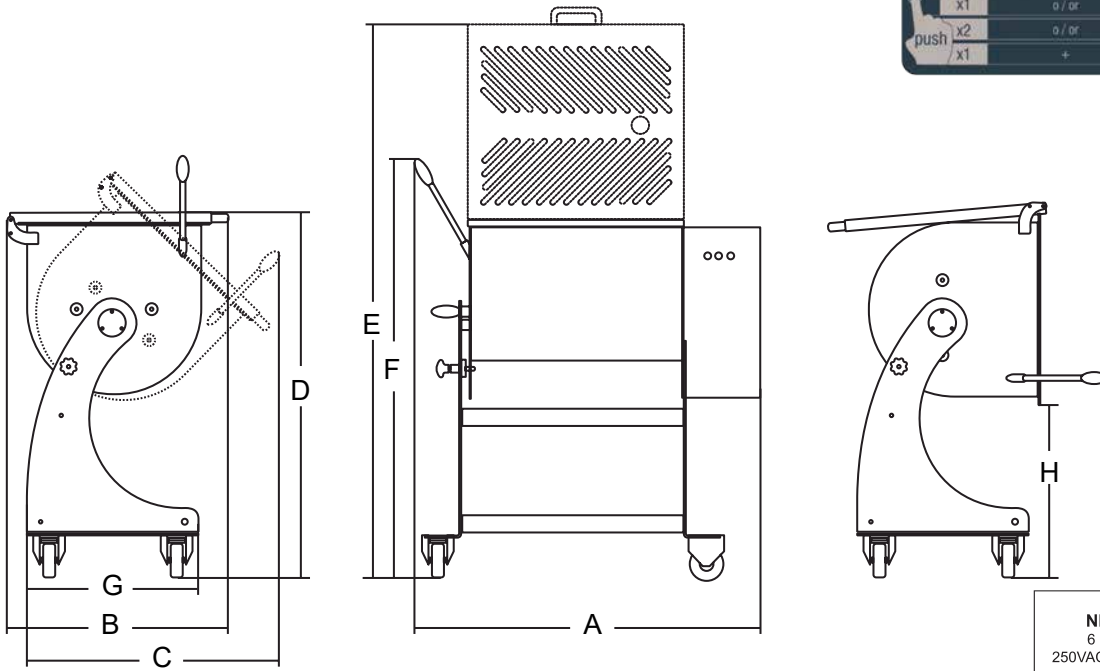
- Modern design and strong AISI 304 stainless steel construction
- Tilting tank with automatic locking system and safety lock
- Stainless steel swivel wheels with lock
- Two mixing arms system
- Removable AISI 304 stainless steel mixing arms (no tools required)
- Total protection of gear box/control panel
- Oil-bath gear box, ground and tempered helical gears
- Double seal on tank and gear box
- Stainless Steel IP 67 control:
  - Forward and reverse
  - Auto-off feature
  - Auto-function with reverse
- Stainless steel cover with safety microswitch
- Minimum loading required: 40% max capacity
- Perfect for hard mix and salad
- Optional: Feeding tray to add ingredients

### PRODUCT SPECIFICATIONS

ITEM	47134
MODEL	MM-IT-0050
POWER	370 W / 0.5 HP (x2)
ELECTRICAL	220V / 60Hz / 1Ph
TANK DIMENSIONS	16.5" x 19.7"   420 x 500 mm
CAPACITY	50 kg.   88 L
DIMENSIONS (DWH)	25" x 32" x 41"   630 x 810 x 1030 mm (64"   1617 mm open door)
WEIGHT	85 kg.   187 lbs.
GROSS DIMENSIONS	47" x 26" x 51"   1200 x 670 x 1300 mm
GROSS WEIGHT	109.5 kg.   241 lbs.

## 50 Kg | 88 L ELECTRICAL MEAT MIXER

### Control System



### DIMENSIONS

A	B	C	D	E	F	G	H
32"   810 mm	25"   630 mm	29"   730 mm	41"   1030 mm	64"   1617 mm	48"   1220 mm	20"   500 mm	18"   468 mm

## OMCAN INC.

Telephone: 1-800-465-0234  
 Fax: (905) 607-0234  
 E-mail: sales@omcan.com  
 Website: www.omcan.com



Follow us to keep up to date with the latest news and offers

